

# MESSKO® MLog® TRANSPORT MONITOR ORDERING SPECIFICATIONS.



MESSKO INSTRUMENTS

## MESSKO® MLog® Transport Monitor

Project/Reference: \_\_\_\_\_

MESSKO® MLog® version	
<input type="checkbox"/>	MESSKO® MLog® IM50
<input type="checkbox"/>	MESSKO® MLog® IM100
each inclusive 1x licence MLog® Analyser, 6x batteries LR14 Varta 4014, 1x mini USB-cable (type b), 1x Assembly kit (4x nut, 4x washer, 4x spring washer)	

MESSKO® IM50 additional modules	
<input type="checkbox"/>	GPS (determination of position)

MESSKO® IM100 additional modules	
<input type="checkbox"/>	GPS (determination of position)
<input type="checkbox"/>	GSM (SMS transmission)
<input type="checkbox"/>	Bluetooth
<input type="checkbox"/>	Number Universal inputs (please enter 2, 4, or 6 only)
<input type="checkbox"/>	Digital inputs (2 x)

MLog® IM50



MLog® IM100



### Optional accessories for MLog® IM50 / IM100

Quantity	Accessory	Art. number
<input type="checkbox"/>	Fixation plate (see rear page) Assembly kit (4x nut, 4x washer, 4x spring washer)	780767XX 786094XX } 1x each
<input type="checkbox"/>	Assembly kit (4x nut, 4x washer, 4x spring washer)	786094XX
<input type="checkbox"/>	Batteries LR14 Varta 4014 (20 pieces)	780002XX
<input type="checkbox"/>	USB cable 1.8m	781612XX
<input type="checkbox"/>	Seat license for MLog® Analyser software	791035XX
<input type="checkbox"/>	Sensor cable 3 m	789093XX

Please enclose this order form filled in the order.

# MESSKO® MLog®

## TRANSPORT MONITOR

### TECHNICAL DATA.

MESSKO® MLog® IM50 / MLog® IM100	Technical Data
<b>Housing</b>	
Materials	Basic housing: Luran S, protectors: Softell TKS, resistant to weathering and aging, good resistance to chemicals
Dimensions (w x h x d)	297 mm x 196 mm x 59 mm
Mounting	4x through bore-holes M8
<b>Display and operating elements</b>	
Display (IM100)	LCD display, black/white, 128x128 pixels, transreflective
Status LEDs	1x green "ACTIVE", 1x yellow "BATTERY", 1x red "EVENT/ALARM"
Buttons	IM100: 10 push-buttons, gold-plated stainless steel contacts IM50: 2 push-buttons, gold-plated stainless steel contacts
Software	MLog® Analyser, additional licenses optionally available
<b>Power supply</b>	
Battery type	6x LR14 C-cells, alkaline (Zn-MnO <sub>2</sub> ), Varta type 4014 recommended
Nominal voltage	1.5V
Capacity	Min. 7800 mAh
<b>Measured value for acceleration</b>	
Sensor type	3-Axis-Acceleration sensor
Measuring range	±16g in X-, Y- and Z-direction
Accuracy	±0.16g
Resolution	0.1g
Minimal shock duration	adjustable from 0 to 1000 ms
<b>Measured value for temperature</b>	
Measuring range	-40 °C ... +125 °C
Accuracy	±1 °C (Measuring range -20 °C ... +80 °C)
Resolution	±0,1 °C
<b>Measuring value for relative humidity</b>	
Measuring range	0 ... 100 % RH
Accuracy	±3 % RH (Measuring range 20 % RH ... 80 % RH)
Resolution	±1 % RH
<b>Digital inputs, optional (IM100 only)</b>	
Number	Max. 2 inputs
Signal voltage "0"	< 0.8V
Signal voltage "1"	> 2.4 V
Sampling rate	Adjustable from 10 ms
<b>Universal inputs, optional (IM100 only)</b>	
Number	Max. 6 inputs
Nominal voltage	0-5 V DC
Resolution	12 bit A/D converter
Measuring error	0.2 % from final value measuring range
Internal resistance	>10 kOhm
Sampling rate	Adjustable from 10 ms

# MESSKO<sup>®</sup> MLog<sup>®</sup>

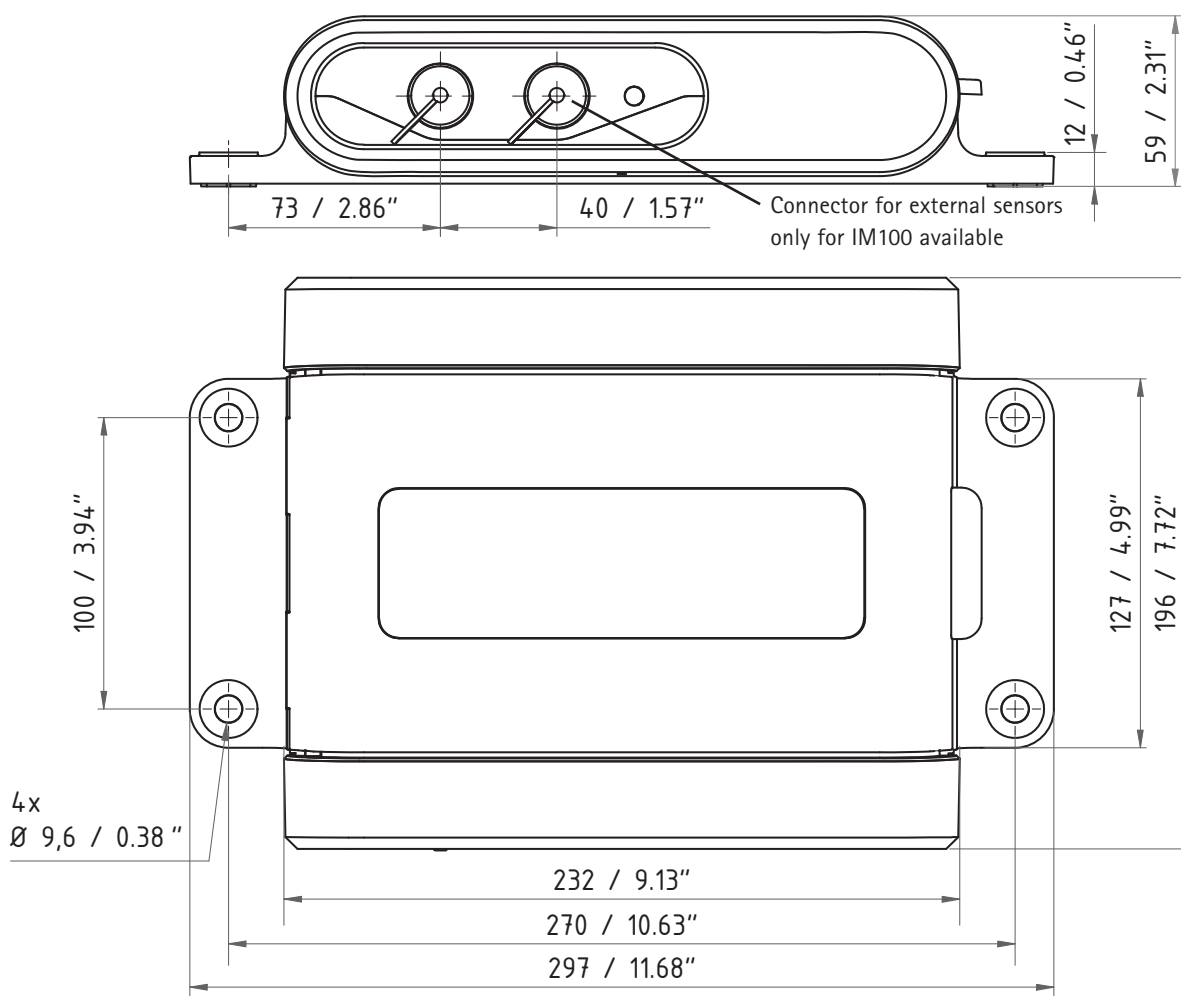
## TRANSPORT MONITOR

### TECHNICAL DATA.

MESSKO <sup>®</sup> MLog <sup>®</sup> IM50 / MLog <sup>®</sup> IM100	Technical Data
<b>Data memory</b>	
Activation time	< 1 ms
Time	Coordinated universal time UTC (date/time)
Data medium	Nonvolatile EEPROM
Event memory	125,000 events (64 byte/event)
Shock memory	400 Shock events (1.9 s/shock), 1.6 kHz scanning rate
<b>Interfaces</b>	
USB	Mini USB, B-type
BlueTooth	Version 2.1 + EDR, range class 1 (100 m), optional (IM100 only)
<b>GSM module, optional (IM100 only)</b>	
Protocols	GSM/GPRS/EDGE
Frequencies	Quad band, 850/900/1800/1900 MHz
Transmission power	Class 4 (2 W@850/900MHz), Class 1 (1 W@1800/1900 MHz)
<b>GPS module, optional</b>	
Transmission values	Longitude and latitude (for position fixing), worldwide
<b>Operating conditions</b>	
Protection class	IP 65
Ambient temperature	-40 °C ... +80 °C
Weight	1.8 kg

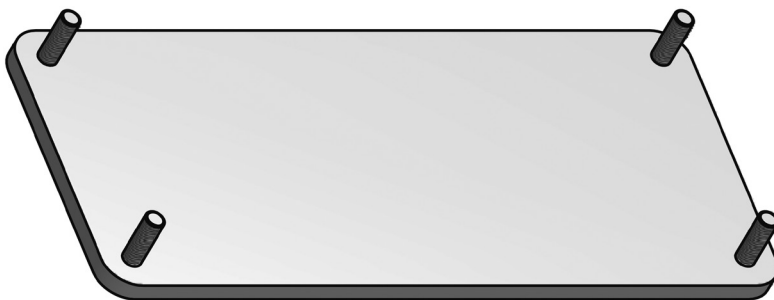
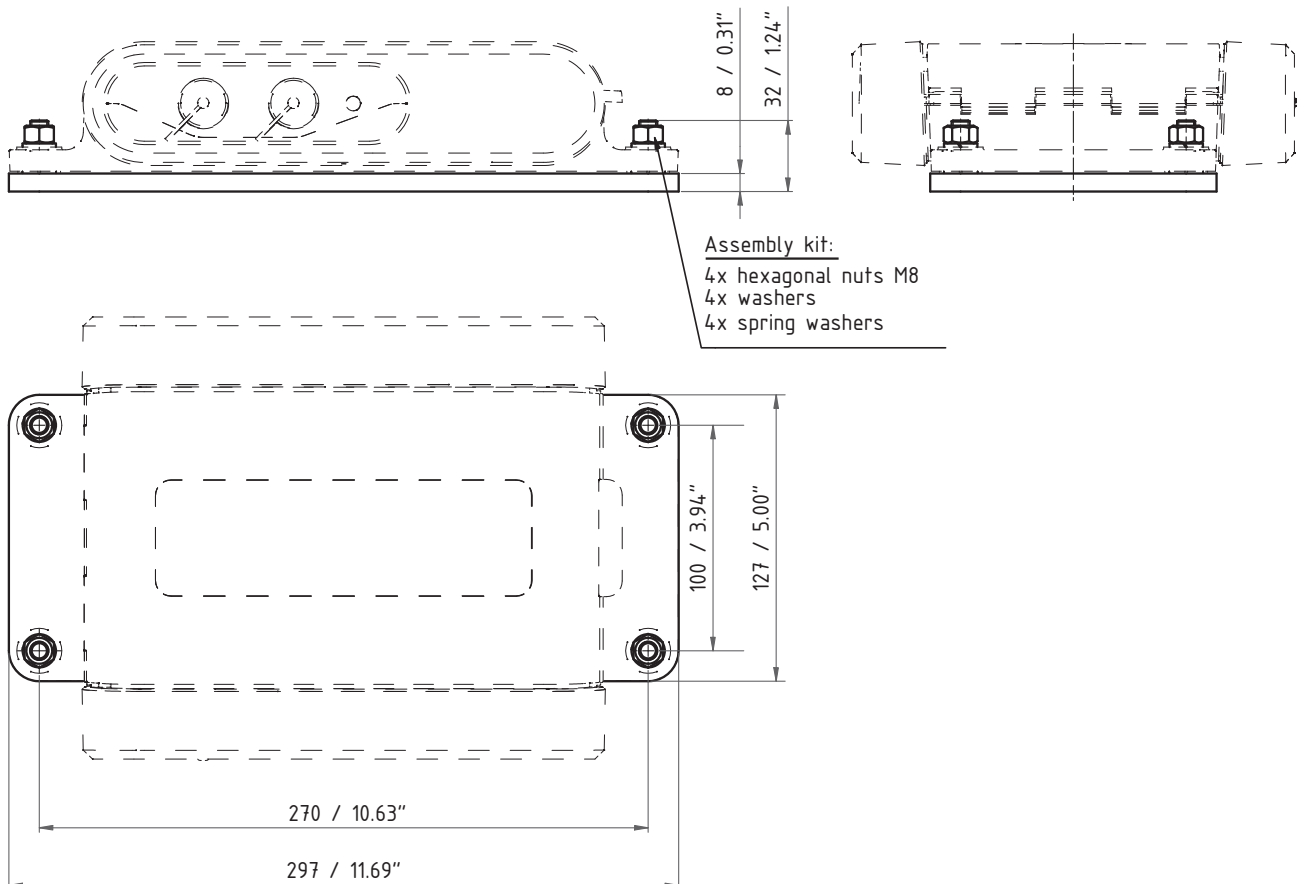
# MESSKO® MLog® TRANSPORT MONITOR DIMENSIONS.

## MESSKO® MLog® IM50 and MLog® IM100



# MESSKO® MLog® TRANSPORT MONITOR DIMENSIONS FIXATION PLATE.

## MESSKO® MLog® fixation plate



Material of fixation plate	Art. number
X5CrNi18-10 DIN EN 10088-2 (1.4301)	780767XX

**Messko GmbH**

Gewerbegebiet An den Drei Hasen  
Messko-Platz 1  
61440 Oberursel, Germany

Phone: +49 6171 6398 0  
Fax: +49 6171 6398 98  
E-mail: [info@messko.com](mailto:info@messko.com)

[www.messko.com](http://www.messko.com)

Please note:

The data in our publications may differ from  
the data of the devices delivered. We reserve  
the right to make changes without notice.

TD3080540/02 EN – MESSKO® MLog® –  
78155402 – 09/14 – ©Messko GmbH 2014

THE POWER BEHIND POWER.

